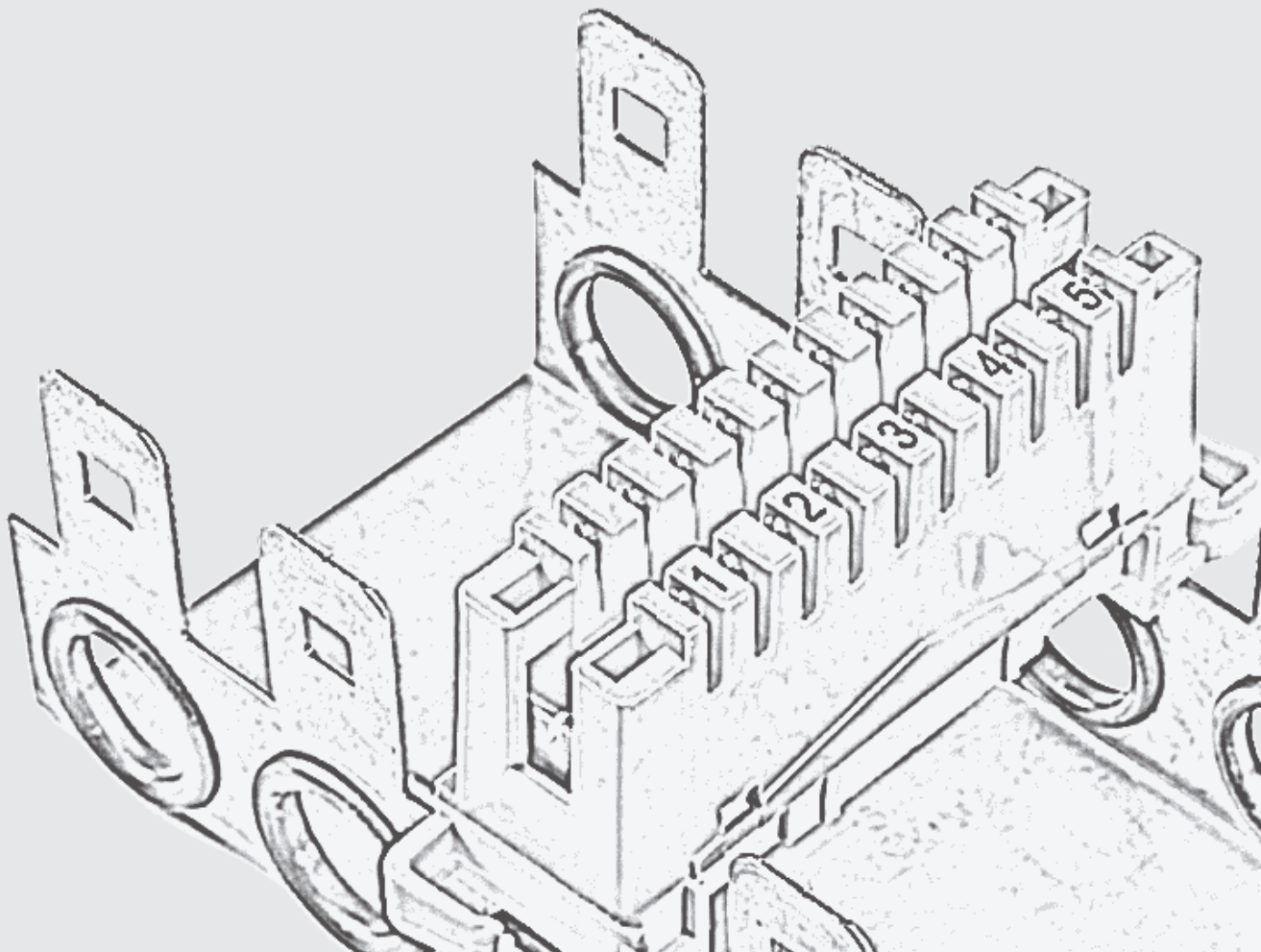


Teledes[®]

BASIC TELEPHONY AND DATA



TERMINAL BOARDS AND SUPPORTS

Terminal boards



QR-A00018

- ▶ Block of insulating material
- ▶ Connection system by shifting the terminal.
- ▶ Connecting elements can be switched off for measurements on both sides without lifting connections.
- ▶ Corrosion resistance according to UNE 2050-2-II standard (CEI 68-2-II).
- ▶ The DC pass between input and output (in both senses) is allowed.
- ▶ Small dimensions.



▲ 2172

REF.	DESCRIPTION
2172	BT Terminal Board 10 Pairs
2173	BT Terminal Board 5 Pairs

Reference		2172	2173
No. of terminals		10x2	5x2
Insulation resistance between terminals (23°C & R.H. 50%)	MΩ	> 10 ⁶	
Terminal resistance (to the point of cable connection)	mΩ	< 10	
Dielectric strength	V _{ef} AC	> 1000 ± 10%	
	V _{dc}	> 1500 ± 10%	
Corrosion resistance according to		UNE 2050-2-II (CEI 68-2-II)	
Dimensions (Wid x Hei x Dep)	mm	122,5x21x40	75x21x31,5



▲ 2173

Supports

Stainless steel supports for terminal boards, with O-ring protection for cable routing.

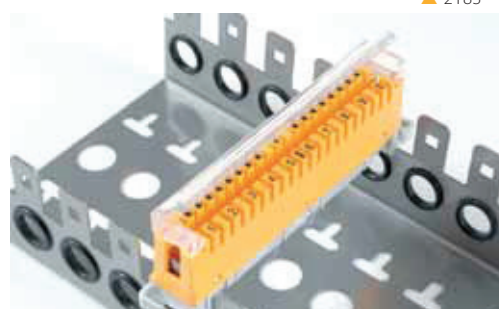


QR-A00019

REF.	DESCRIPTION
2182	Support for 10 terminal boards of 10 pairs
2183	Support for 5 terminal boards of 5 pairs
2187	Support for 1 terminal board of 5 pairs
2188	Support for 1 terminal board of 10 pairs



▲ 2183



▲ 2182

ACCESSORIES AND USER ACCESS POINTS (UAP)

Accessories



QR-A00020

REF.	DESCRIPTION
2181	Label holder for terminal boards of 10 pairs
2198	Label holder for terminal boards of 5 pairs
2189	Distribution box for 10 terminal boards of 10 pairs
2174	Professional tool for cable cutting and mounting in BT terminal boards.



▲ 2189



▲ 2181



▲ 2198



▲ 2174

Telephone UAPs

User Access Point (UAP). This element separates the subscriber's home network from the general distribution network. Telephone UAPs provide (by a switch) a TEST output.



QR-A00060

REF.	DESCRIPTION
5402	BT UAP 1 line - 1 output
5415	BT UAP 2 lines - 1 output
5461	BT UAP 1 line - 6 outputs



▲ 5461

TELEPHONE CABLES

Telephone cables

Telephone cables with a different number of pairs, to provide buildings with telephone network.



QR-A00112

REF.	DESCRIPTION
217001	1 pair (LSFH)
217101	2 pairs (LSFH)
2176	25 pairs (PVC)
2177	50 pairs (PVC)
2178	75 pairs (PVC)
2179	100 pairs (PVC)
217602	25 pairs (LSFH)
217702	50 pairs (LSFH)
217802	75 pairs (LSFH)
217902	100 pairs (LSFH)

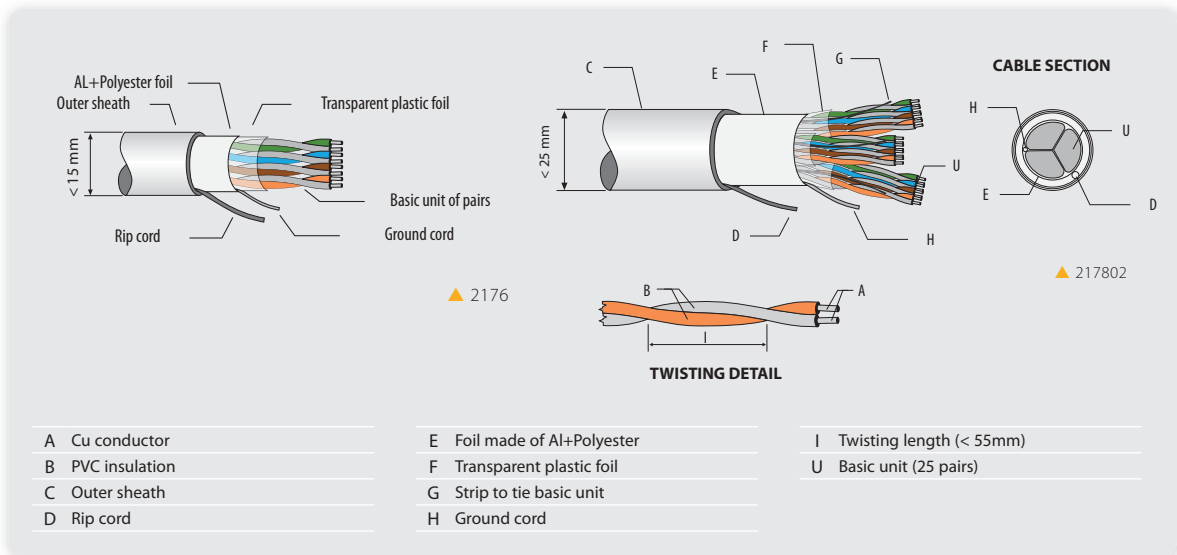


▲ 2179/2176/2177/2178

References		2176	217602	2177	217702	2178	217802	2179	217902	
No. of pairs		25		50		75		100		
Mechanical specifications										
Inner conductor	Diameter	mm		0,5 ... 0,6						
	Insulation	material		PVC						
Outer sheath	material		PVC	LSFH	PVC	LSFH	PVC	LSFH	PVC	LSFH
	Thickness	mm		1,2						
	Diameter	mm		15	21	25	28			
	Color		White							
Foil	material		Al + Polyester							
	Thickness	mm		0,07						
Twisting length		mm		< 55						
Electric specifications										
Ohms resistance		Ω/Km		< 98						
Insulation resistance		MΩ/Km		> 1000						
Dielectric strength between terminals		Vac		> 350						
		Vdc		> 500						
Conductor/shielding dielectric strength		Vac		> 1000						
		Vdc		> 1500						
Mutual capacitance		nF/Km		< 100						

References		217001	217101	
No. of pairs		1	2	
Mechanical specifications				
Inner conductor	Diameter	mm		0,5 ... 0,6
	Insulation	material		PE
Outer sheath	material		LSFH	
	Thickness	mm		0,7
	Diameter	mm		4 5
	Color		White	
Twisting length		mm		< 45 < 55
Electric specifications				
Ohms resistance		Ω/Km		< 98
Insulation resistance		MΩ/Km		> 1000
Conductor/shielding dielectric strength		Vac		> 350
		Vdc		> 500
Mutual capacitance		nF/Km		< 58
Attenuation		dB/Km		1,7
				1,8
				2,3
				9
				24

TELEPHONE CABLES / DATA CABLE ENCLOSURES



Main terminal enclosures for data distribution



QR-A00160

Designed to be wall-mounted in the main distribution point (dry environment indoors), and it allows the insertion of female RJ45 connectors.

Closed main terminal enclosure (ref. 546601)

- ▶ Two access in the top with **cable routing** by cable inlets, and removable lids to protect the entry of dust in the absence of use.
- ▶ Two access in the bottom with cable routing by cable inlets.
- ▶ Up to 48 female RJ45 connectors (not included).
- ▶ Removable supports for connectors.
- ▶ **Lockable door.**



▲ 546601

Open main terminal panel (ref. 546610)

- ▶ Up to 24 female RJ45 connectors (not included).



▲ 546610

REF.	DESCRIPTION
546601	Closed main terminal enclosure, for data cables (Up to 48 "RJ45" connectors) Dimensions (Wid x Hei x Dep): 300 x 340 x 265
546610	Open main terminal panel, for data cables (Up to 24 "RJ45" connectors) Dimensions (Wid x Hei x Dep): 300 x 80 x 150
546602	Support of 24 "RJ45" connectors Dimensions (Wid x Hei x Dep): 255 x 87 x 80

MULTIPLEXER AND RJ45 CONNECTORS

Passive Multiplexer



QR-A00159

It provides 8 telephony outputs and ADSL. It maintains continuity between Dispersion network (by cables of pairs or twisted pairs) and the subscriber's home network (always a network of twisted pairs).

It allows the telephony/data network certification.

- ▶ **Two possible ways of mounting**, to facilitate the connection.
- ▶ **LSFH lead with male CAT6 RJ45 connectors.**
- ▶ Female RJ45 connector for input, and ADSL output, all in **CAT6.**
- ▶ **An ADSL filter** is integrated for the 8 telephone outputs.
- ▶ Designed for future coexistence with a "Router".



▲ 546501

REF.	DESCRIPTION
546501	Passive Multiplexer "RJ45" (1 Male - 9 Females) with 0,2m LSFH Lead Dimensions (Wid x Hei x Dep): 140 x 60 x 25

RJ45 connectors



QR-A00148

Male and female RJ45 connectors for data and telephony.

- ▶ Self-crimpable (219901), which makes it reusable.
- ▶ CAT6 UTP.



▲ 219901

REF.	DESCRIPTION
209901	Data connector RJ45 UTP CAT-6 Female (Self-crimpable)
209902	Data connector RJ45 UTP CAT-6 Male



▲ 209902



▲ 209902

DATA CABLE

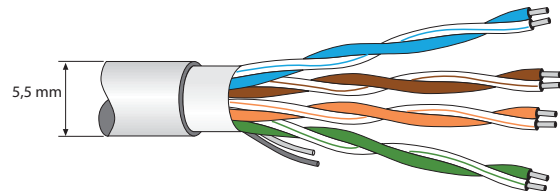


QR-A00271

Data cables - Cat.5e

REF.	DESCRIPTION
2195	F/UTP CAT-5E PVC, 305m. (W)
2196	U/UTP CAT-5E PVC, 305m. (W)

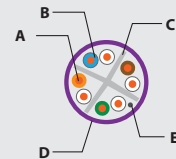
F/UTP: Foiled UTP Cable
 U/UTP: Unfoiled UTP Cable



▲ 2195



- A Solid copper conductor
- B Polyethylene insulation
- C Padded type "crucifix"
- D Outer sheath in LSFH
- E Rip cord



Reference		2195	2196
Type		FTP Cat5	UTP Cat5
Pairs	color	p 1	Blue Blue - White
		p 2	Orange Orange - White
		p 3	Green Green - White
		p 4	Brown Brown - White
Outer sheath		material color	PVC* White
Foil between sheath and basic units		material	Aluminium + polyester
Outer diameter		Ø (mm)	5,5
Conductor		material	Copper
		Ø (mm)	0,51
Conductor insulation		material	polyethylene - (PE)
Conductor resistance		Ohm/Km	<117
Nominal impedance		Ohm	100±15%
Dielectric strength		Vrms	350
		Vdc	500
Packaging		m	305

F. (MHz)	Att. dB/100m	PP-NEXT dB/100m	PS-NEXT dB/100m	PP-ELFEXT dB/100m	PS-ELFEXT dB/100m	P. RT. (RTL) dB/100m
0,772	-	-	-	-	-	-
1	2,0	65,3	62,3	63,8	60,8	20,0
4	4,1	56,3	53,3	51,7	48,7	23,0
8	5,8	51,8	48,8	45,7	42,7	24,5
10	6,5	50,3	47,3	43,8	40,8	25,0
16	8,2	47,3	44,3	39,7	36,7	25,0
20	9,3	45,8	42,8	37,7	34,7	25,0
25	10,4	44,3	41,3	35,8	32,8	24,3
31,25	11,7	42,9	39,9	33,9	30,9	23,6
6,5	17	38,4	35,4	27,8	24,8	21,5
100	22	35,3	32,3	23,8	20,8	20,1
125	-	-	-	-	-	-
200	-	-	-	-	-	-
250	-	-	-	-	-	-

(*) IEC332/3 C category

DATA CABLE

Data cables - Cat.6

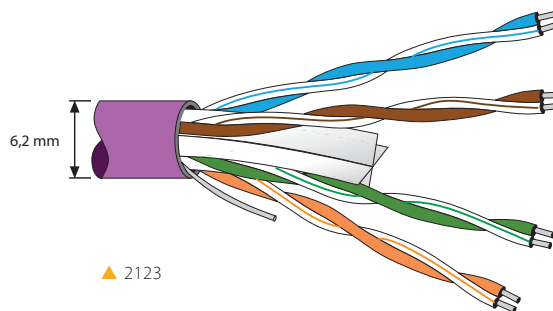


QR-A00011

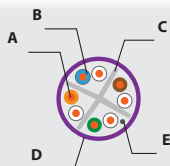
REF.	DESCRIPTION
2199	U/UTP CAT-6 Cu PVC, 305m. (W)
219901	U/UTP CAT-6 CCA PVC, 305m. (W)
2123	U/UTP CAT-6 Cu LSFH, 305m. (V)
219910	U/UTP CAT-6 CCA LSFH, 305m. (V)

F/UTP: Foiled UTP Cable

U/UTP: Unfoiled UTP Cable



- A Solid copper conductor
- B Polyethylene insulation
- C Padded type "crucifix"
- D Outer sheath in LSFH
- E Rip cord



F. (MHz)	Att. dB/100m	PP-NEXT dB/100m	PS-NEXT dB/100m	PP-ELFEXT dB/100m	PS-ELFEXT dB/100m	P. RT. (RTL) dB/100m
0,772	1,8	76,0	74,0	70,0	67,0	-
1	2,0	74,3	72,3	67,8	64,8	20,0
4	3,8	65,3	63,3	55,7	52,7	23,0
8	5,4	60,8	58,8	49,7	46,7	24,5
10	6,0	59,3	57,3	47,8	44,8	25,0
16	7,6	56,3	54,3	43,7	40,7	25,0
20	8,5	54,8	52,8	41,7	38,7	25,0
25	9,6	53,3	51,3	39,8	36,8	24,3
31,25	10,7	51,9	49,9	37,9	34,9	23,6
62,5	15,5	47,4	45,4	31,8	28,8	21,5
100	19,9	44,3	42,3	27,8	24,8	20,1
125	22,4	42,8	40,8	25,9	22,9	19,4
200	29,2	39,8	37,8	21,7	18,7	18,0
250	33,0	38,3	36,3	19,8	16,8	17,3

(**) Low Smoke Free Halogen IEC60332-1-2; IEC60754-1; IEC61034-1/-2

Reference	2123		2199		219910		219901	
Type	UTP Cat6							
Pairs	color	p 1						
		p 2						
		p 3						
		p 4						
Outer sheath	material	LSFH**	PVC*		LSFH**		PVC*	
	color	(Pantone 258C) violet	White		(Pantone 258C) violet		White	
Outer diameter	Ø (mm)	6,2						
Conductor	material	solid copper		copper clad aluminium				
	Ø (mm)	0,550		0,585				
Conductor insulation	material	polyethylene - (PE)						
Conductor resistance	Ohm/Km	<117						
Nominal impedance	Ohm	100±15						
Working voltaje	V	300						
Nominal velocity	%	72						
Packging	m	305						