

# MICROKOM LAUNCH AMPLIFIER

## FOR CATV APPLICATIONS

REF.	ART. NR.	DESCRIPTION	EAN 13
534211	KVE1G202520	AMP. MICROKOM T4 RET.P./MATV G(-  20)/(20  25)dB	8424450179093
534411	KVE1G303528	AMP. MICROKOM T4 RET.P./MATV G(-  20)/(28  35)dB	8424450179086



**+** Launch amplifiers with active or passive return path designed for multimedia services distribution in small/medium size buildings.

- Adjustments via plug-in jumpers with a very intuitive block diagram as support.
- Fully configurable return path equipped with attenuator and equalizer.
- Direct channel with independent attenuator and equalizer adjustment between stages.
- High output level (121dBμV DIN45004B)
- Zamak chassis.

**i**

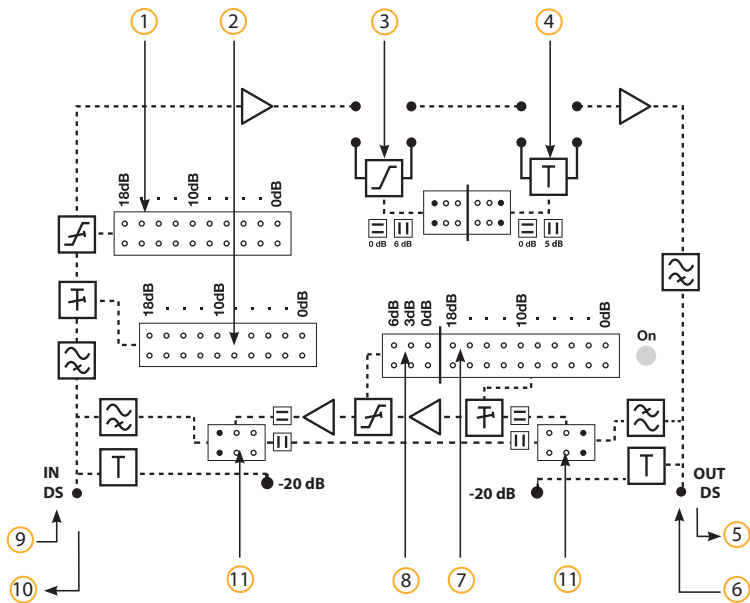
REF.	ART. NR.	mm	g	Units/Packing
534211	KVE1G202520	185 x 80 x 35	400	1 / box
534411	KVE1G303528	185 x 80 x 35	400	

**📄**

Reference Art. Nr.		534211 KVE1G202520	534411 KVE1G303528
<b>Forward path</b>			
Frequency range	MHz	85...1006	
Gain	dB	25	35
Input attenuator	dB	0...18 (2dB steps)	
Interstage attenuator	dB	0/5	
Input equalizer	dB	0...18 (2dB steps)	
Interstage equalizer	dB	0/6	
Noise figure	dB	6	7
Output level	dBμV	121 (DIN45004B)	
<b>Return path</b>			
Frequency	MHz	5...65	
Gain	dB	20/-1	28/-1
Input attenuator	dB	0...18 (2dB steps)	
Interstage equalizer	dB	0/3/6	
Output level	dBμV	118 (DIN45004B)	
<b>General</b>			
Main voltage	Vac/Hz	99 - 253 / 50 - 60	
Power consumption	W	5	
Electrostatic discharges protection	kV	8 (EN61000-4-2)	
Protection class	class	II Isolation	
Protection index	IP	20	

**Block Diagram:**

- Configuration via plug-in jumpers and fixed values.
- Input and output test connectors.

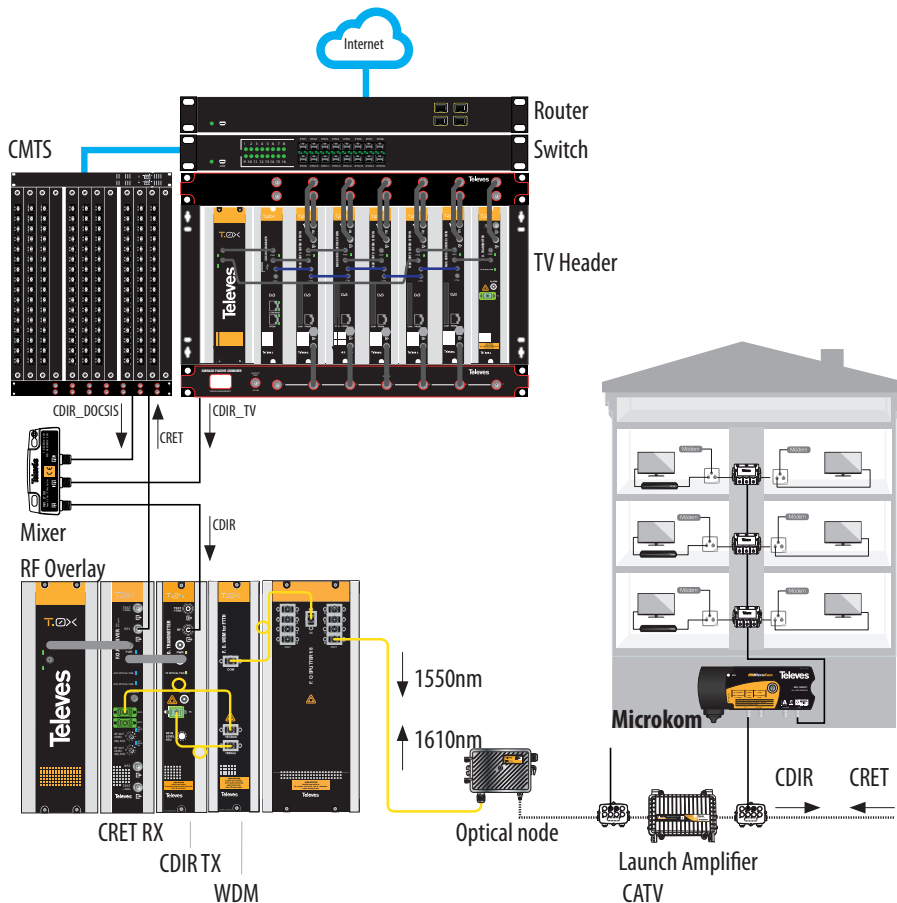


- 1.-Forward path input equalizer 0-18 dB, 2 dB steps.
- 2.-Forward patg input attenuator 0-18 dB, 2 dB steps.
- 3.-Forward path interstage equalizer 0 or 6 dB.
- 4.-Forward path interstage attenuator 0 or 5 dB.
- 5.-Forward path output.
- 6.-Return path input.
- 7.-Return path input attenuator 0-18 dB, 2 dB steps.
- 8.-Return path input equalizer 0/3/6 dB
- 9.-Forward path input.
- 10.-Return path output.
- 11.-Active/passive return path configuration.

**HFC Docsis application**

- CDIR: 87...1006MHz / 1550nm
- CRET: 5...65MHz / 1610nm

Microkom launch amplifier distributes TV signal to many users, although allows return path signal to reach the optical node. This node works as a converter between the main optical network and the coaxial network.



**Application as distribution amplifier**

Microkom launch amplifier works as a simple header to amplify and distribute TV services.

