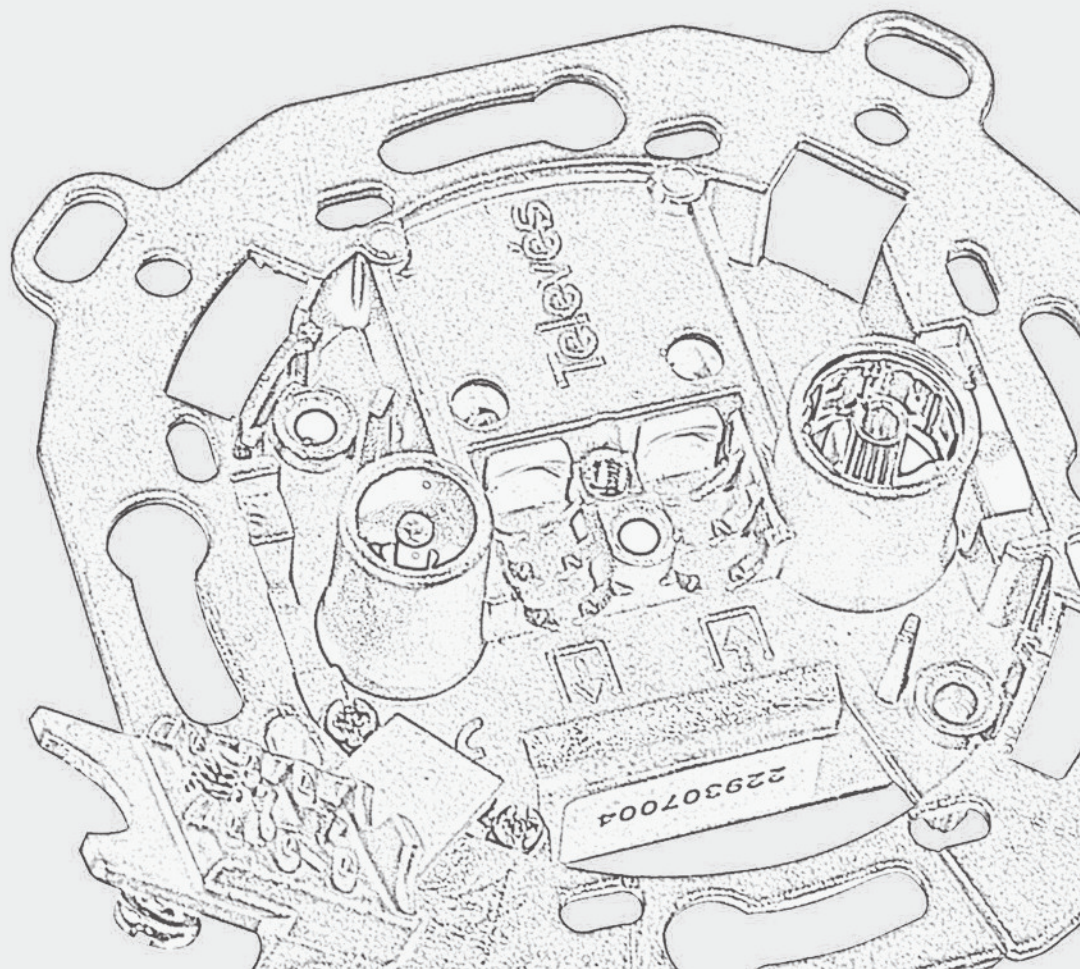


Televes®

DISTRIBUTION



EASYF: AN INNOVATIVE CONNECTION SYSTEM



A wide range of products used for TV signal distribution, adapted to operate on all the bands (VHF, UHF, IF SAT).

The new "mini" series with "easyF" connectors represents a new design and manufacturing concept that can be noticed in the reduction of the size and in a substantial improvement of the technical characteristics.

Practical chassis with to reliable connections

- ▶ **Easy and practical mounting.** Equipped with two compartments to fit two coaxial cables and the **inputs/ outputs on the same side.**
- ▶ **Zamak shielding.** Equipped with two screws for surge protection.
- ▶ Identical or superior **Screening** as per the **Class to requirements.**

No welding, automatic connection of the inner conductor

- ▶ **Durability** of the device increased, as no spoilage is generated from the welding
- ▶ **Reduction of the breakdowns** due to the cold welding
- ▶ **Optimization of the electromagnetic behavior** on high frequencies.
- ▶ **Ecological** commitment. Contamination is eliminated and reduction of electrical consumption associated to the welding process.

Size reduction

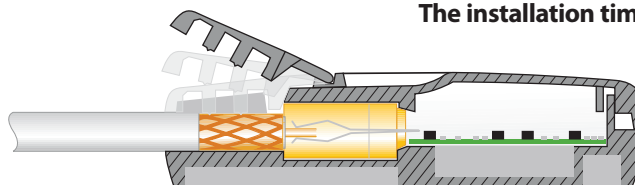
- ▶ Dimensions of 57x46x11mm for "mini" series.
- ▶ Easy to use even within small and restricted emplacements.
- ▶ Reduction of the micro-components, that will not only improve the electrical performance but will also reduce the effects of the impulsive noise
- ▶ Substitution of the manual placement transformers with the automatic production SMT transformers (2mm x 1,20 mm).



Reduces up to

50%

The installation time



Completely Automated Production Line



EASYF: AN INNOVATIVE CONNECTION SYSTEM

Time efficiency between easyF and F connection

16 steps: 2 connections 2 connectors

8 steps: 2 connections

SPLITTERS AND UAP SPLITTERS WITH "EASYF" CONNECTOR

5...2400 MHz (Indoor)



► New "mini" range on a smaller format (57x46x11mm) for 2 & 3 output splitters.



▲ 543503



▲ 5469



QR-A00248

REF.	DESCRIPTION		
	Outputs	Losses	
Mini-Splitters 5...2400 MHz easyF			
543503	2	4,3/4dB	DC Out→in
543603	3	8,5/7,5dB	DC Out→in
Splitters 5...2400 MHz easyF			
543702	4	9/7,5dB	DC Out→in
543802	5	10/9dB	DC Out→in
5469	6	11/14dB	DC Out→in
5489	8	14/16dB	DC Out→in
UAP* easyF Splitters 5...2400 MHz			
542903	2	4,5/4,3B	+ UAP
543902	3	9/8dB	+ UAP
544902	4	9/7,5dB	+ UAP
5454	5	11/13B	+ UAP
5430	6	14/14dB	+ UAP
5433	8	14/16dB	+ UAP

* User Access Point

Reference		543503		543603		543702		543802		5469		5489	
N° of outputs	n°	2		3		4		5		6		8	
Frequency range		MATV	IF SAT	MATV	IF SAT	MATV	IF SAT	MATV	IF SAT	MATV	IF SAT	MATV	IF SAT
Insertion loss In → Out 1...8	1	4,3	4	8,5	7,5	9	7.5	10	12	14	14	14	14
	2												
	3	-	-	-	-	-	-	-	-	-	-	-	-
	4												
	5	-	-	-	-	-	-	-	-	-	-	-	-
	6												
	7	-	-	-	-	-	-	-	-	-	-	-	-
	8												
Output rejection	dB	> 15		> 15		> 17	> 15	> 15		> 28		> 28	
Max current Out-In	mA	300						300		300 (Usc. 1-2-3-4)		300 (Usc. 1-2-3-4-5-6)	
Max voltage	Vdc	40						40		40		40	
Dimensions (Wid x Hei x Dep)	mm	57x47x13				69x55x15				108x59x15			
Weight	gr	56				166				258			

Reference		542903		543902		544902		5454		5430		5433	
N° of outputs	n°	2		3		4		5		6		8	
Frequency range		MATV	IF SAT	MATV	IF SAT	MATV	IF SAT	MATV	IF SAT	MATV	IF SAT	MATV	IF SAT
Insertion loss In → Out 1...8	1	4,5	4,3	9	8	9	7.5	13	13	14	14	14	14
	2												
	3	-	-	-	-	-	-	-	-	-	-	-	
	4												
	5	-	-	-	-	-	-	-	-	-	-	-	
	6												
	7	-	-	-	-	-	-	-	-	-	-	-	
	8												
Output rejection	dB	> 15		> 15		> 17	> 15	> 28		> 28		> 28	
Max current Out-In	mA	300						-		-		-	
Max voltage	Vdc	40						-		-		-	
Dimensions (Wid x Hei x Dep)	mm	57x47x13		69x55x15				108x59x15					
Weight	gr	56		166				258					

SPLITTERS AND UAP SPLITTERS WITH "EASYF" CONNECTOR

5...2400 MHz (Indoor)



QR-A00140

REF.	DESCRIPTION		
Splitters 5...2400 MHz "F"			
	Outputs	Losses	
5150	2D	4/5dB	DC Out→in
5151	3D	7/9dB	DC Out→in
5152	4D	7,5/10dB	DC Out→in
5153	5D	10/12dB	DC Out→in
7441	6D	12/16dB	DC Out→in
7406	8D	13/18dB	DC Out→in



QR-A00049

REF.	DESCRIPTION		
UAP* Splitters 5...2400 MHz "F"			
	Outputs	Losses	
5154	4D	7,5/9,5dB	+ UAP, DC Out→In
5160	5D	10/12dB	+ UAP, DC Out→In
5161	7D	12/14dB	+ UAP, DC Out→In

* User Access Point

Reference	5150		5151		5152		5153		7441		7406		5154		5160		5161	
N° of outputs	n°		2	3	4	5	6	8	4	5	7							
Frequency range	MATV		IF SAT		MATV		IF SAT		MATV		IF SAT		MATV		IF SAT		MATV	
Insertion loss In →Out	4		5		7		9		7,5		10		10		12		12	
Rejection between outputs																		
Screening	30-300 MHz		dB															
	300-470 MHz																	
	470-1000 MHz																	
	1000-2000 MHz																	
Max Current through Out - In	A																	
Dimensions(Wid x Hei x Dep)	mm		76x38x26		116x38x6		135x55x26		116x38x6		135x55x26							
Weight	gr		120		175		225		175		225							



▲ 5151



▲ 5160

5...1000 MHz (Indoor)



QR-A00041

REF.	DESCRIPTION		
"F" Splitters 5...1000 MHz			
	Outputs	Losses	
4530	2D	4dB	DC Out→in
4532	3D	6dB	DC Out→in
4531	4D	8dB	DC Out→in
4534	6D	10dB	DC Out→in
4533	8D	11dB	DC Out→in



▲ 4533

Reference	4530		4532		4531		4534		4533	
N° of outputs	n°		2		3		4		8	
Frequency range									SCATV	
Insertion losses In →Out	4		6		8		10		11	
Rejection between outputs										
Screening	30-300 MHz		dB							
	300-470 MHz									
	470-1000 MHz									
Dimensions(Wid x Hei x Dep)	mm		55x50x27		78x50x27		122x60x29			
Weight	gr		120		175		225			



▲ 4530

SPLITTERS WITH 5/8" CONNECTORS

5...1000 MHz (Outdoor)



QR-A00044

- ▶ Waterproof chassis and designed for IF SATs.

REF.	DESCRIPTION
4622	2D, 6dB outdoor
4623	3D, 10dB outdoor



▲ 4622



▲ 4623

References		4622	4623
N° of outputs	n°	2	3
Frequency range		SCATV	
Insertion losses In → Out	dB	6	10
Rejection between outputs		20	
Max. current through Out-In (60 Vac)	A	10	
Dimensions(Wid x Hei x Dep)	mm	144x114x77	

TAPS WITH "EASYF" CONNECTOR

5...2400 MHz (Indoor)



QR-A00125

► New "mini" range on a smaller format (57x46x11mm) for 3 output taps.

REF.	DESCRIPTION			
	Outputs	Loss	Type	Floor
Mini-Tap 5...2 400 MHz easyF				
542503	2	12 dB	TA	1
542603	2	16 dB	A	2 and 3
542703	2	21 dB	B	4 to 6
542803	2	25 dB	C	7 to 12
Tap 5...2 400 MHz easyF				
544402	4	12 dB	TA	1
544502	4	17 dB	A	2 and 3
544602	4	20 dB	B	4 and 5
544702	4	25 dB	C	6 and 7
5492	6	16 dB	TA	1
5493	6	20 dB	A	2 and 3
5494	6	24 dB	B	4 and 5
5610	8	16 dB	TA	1
5611	8	22 dB	A	2



▲ 543503

Reference	542503	542603	542703	542803	544402	544502	544602	544702	
Frequency range	SMATV								
Outputs	2				4				
Number of floors	1	2 e 3	da 4 a 6	da 7 a 12	1	2 e 3	4 e 5	6 a 8	
Insertion loss In → Out	Ret. C. C.	2	1,5	0,6	0,6	3,7	2,5	1,5	0,5
	MATV	3..4	1	0,5	0,5	3,5	3,3	0,8	0,5
	IF SAT	4,5	1..2,2	0,5...2,2	0,5...2,2	4,2	3,5	1...1,8	0,5...2,1
Tap loss In → Tap	Ret. C.	14	16	21	26	13	19	20	26
	MATV	14	16	21	25	13	17	21	26
	IF SAT	12	17	21	25	12,5	15,5	21	24
Rejection Tap → Tap	MATV	> 37	> 42	> 30	> 30	> 28	> 27	> 28	> 30
	IF SAT	> 31	> 34	> 22	> 23	> 21	> 20	> 22	> 25
Max Voltage	Vdc				40				
Max current through Out-In	mA				300				
Dimensions(Wid x Hei x Dep)	mm				57x47x13				
Weight	gr				56				
					81x55x12				
					166				

Reference	5492	5493	5494	5610	5611
Frequency range	SMATV				
Outputs	6			8	
Number of floors	1	2 and 3	4 and 5	1	2
Insertion loss In → Out	Ret. C.	<11	<6	<6	<11
	MATV	5	3	3	5
	IF SAT	5	3,5	4	5
Tap loss In → Tap	Ret. C.	<18	<20	<26	<18
	MATV	16	20	24	16
	IF SAT	16	20	24	16
Rejection Out → Tap	Ret. C.	>30	>30	>35	>30
	MATV	>30	>30	>30	>30
	IF SAT	>30	>25	>25	>30
Rejection Tap → Tap	Ret. C.	>30	>40	>45	>30
	MATV	>30	>40	>45	>30
	IF SAT	>30	>40	>45	>30
Max voltage	Vdc				
Max current through Out-In	mA				
Dimensions(Wid x Hei x Dep)	mm				
Weight	gr				
	40				
	300				
	122x59x14				
	258				

TAPS WITH "F" CONNECTOR

5...2400 MHz (Indoor)



QR-A00048

REF.	DESCRIPTION			
	Outputs	Loss	Type	Floor
5130	2D	12 dB	TA	1
5131	2D	15 dB	A	2 and 3
5132	2D	19 dB	B	4 to 6
5133	2D	23 dB	C	7 to 9
5134	2D	27 dB	D	10
5141	4D	12 dB	TA	1
5142	4D	16 dB	A	2 and 3
5143	4D	19 dB	B	4 and 5
5144	4D	24 dB	C	6 to 9
5145	4D	29 dB	D	10
5135	6D	19 dB	TA	1
5136	6D	21 dB	A	2 and 3
5137	6D	25 dB	B	4 to 6
5146	8D	19 dB	TA	1
5147	8D	20 dB	A	2 and 3
5148	8D	25 dB	B	4 to 6



▲ 5130



▲ 5135



▲ 5146

Reference	5130	5131	5132	5133	5134	5141	5142	5143	5144	5145					
Frequency range	SMATV														
Outputs	2					4									
Insertion loss In → Out	MATV		1,5		1		4,5		2,3		1,5				
	IF SAT		1,5		1		5		3,4		2,5				
Tap loss In → Tap	MATV		18		23		27		12		16				
	IF SAT		19		27		12		16		20				
Rejection Tap → Tap	MATV/IF					> 30			> 25		> 20				
Max current through Out-In	A					1									
Dimensions(Wid x Hei x Dep)	mm					76 × 40 × 25					166 × 40 × 25				
Weight	gr					120					175				

Reference	5135	5136	5137	5146	5147	5148		
Frequency range	SMATV							
Outputs	6			8				
Insertion loss In → Out	MATV		3,3		2		1,5	
	IF SAT		5		4		2,5	
Tap loss In → Tap	MATV		18		20		24	
	IF SAT		20		24		18	
Rejection Tap → Tap	MATV			> 20		> 21		
Max current through Out-In	A			1				
Dimensions(Wid x Hei x Dep)	mm			120 × 72 × 25				
Weight	gr			240		250		

TAPS WITH "F" CONNECTOR

5...1000 MHz (Indoor)



QR-A00042

REF.	DESCRIPTION
	Outputs Loss
4516	1D 8dB
4517	1D 11 dB
4518	1D 14 dB
4519	1D 17 dB
4560	2D 4 dB
4561	2D 8 dB
4562	2D 11 dB
4563	2D 14 dB
4564	2D 17 dB
4565	2D 20 dB
4566	2D 23 dB
4567	2D 26 dB
4571	4D 8 dB
4572	4D 11 dB
4573	4D 14 dB
4574	4D 17 dB
4575	4D 20 dB
4576	4D 23 dB
4577	4D 26 dB
4578	8D 12 dB
4580	8D 17 dB
4581	8D 20 dB



▲ 4560



▲ 4571



▲ 4578

Reference	4516	4517	4518	4519	4560	4561	4562	4563	4564	4565	4566	4567
Frequency range	SCATV											
Outputs	1				2							
Insertion loss In → Out	≤ 2,4	≤ 1,5	≤ 1,5	≤ 1,3	-	≤ 2,5	≤ 2	≤ 2	≤ 1,5	≤ 1	≤ 1	≤ 1
Tap loss In → Tap	8	11	14	17	≤ 4,5	8	11	14	17	20	23	26
Dimensions(Wid x Hei x Dep)	53 x 47 x 20				75 x 47 x 20							
Weight	60				70							

Reference	4571	4572	4573	4574	4575	4576	4577	4578	4580	4581
Frequency range	SCATV									
Outputs	4							8		
Insertion loss In → Out	-	≤ 4	≤ 2,5	≤ 2	≤ 1	≤ 0,5	≤ 0,5	-	≤ 3,5	≤ 2
Tap loss In → Tap	8	11	14	17	20	23	26	12	17	20
Dimensions(Wid x Hei x Dep)	85x 56x40		90 x 56 x 40					117 x 56 x 40		
Weight	150							200		

TAPS WITH "F" AND 5/8" CONNECTORS

5...1000 MHz (Outdoor)



QR-A00043

- ▶ Waterproof chassis and designed for IF SATs
- ▶ Tap with „F“ connector and a 5/8“ Through

REF.	DESCRIPTION	
	Outputs	Loss
4603	2D	11 dB
4605	2D	17 dB
4606	2D	20 dB
4607	2D	23 dB
4611	2D	35 dB
4613	4D	11 dB
4614	4D	14 dB
4615	4D	17 dB
4616	4D	20 dB
4617	4D	23 dB



▲ 4613

Reference	4603	4605	4606	4607	4611	4613	4614	4615	4616	4617
Frequency range	SCATV									
Outputs	n° 2				n° 4					
Insertion loss In→Out	≤ 3,6	≤ 2,2	≤ 1,7	≤ 1,9	≤ 1,8	≤ 5,1	≤ 3,9	≤ 3,1	≤ 2,3	≤ 1,9
Tap loss In→Tap	11	17	20	23	35	11	14	17	20	23
Max current through Out-In (60 Vac)	A 6									
Dimensions(Wid x Hei x Dep)	mm 131 x 100 x 77									

Accessories for ("EasyF" and "F") taps and splitters



QR-A00158

REF.	DESCRIPTION	
545501	Face plate ABS Distribution	
4177	Outdoor Box 113x88x35 mm	
4163	Outdoor Box 136x127x45 mm	
4087	Terminal load "EasyF" 75Ω with DC bloc	
4061	Terminal load "F" 75Ω with DC bloc	
4058	Terminal load "F" 75Ω without DC bloc	



▲ 4177



▲ 4163



▲ 545501



▲ 4058



▲ 4061

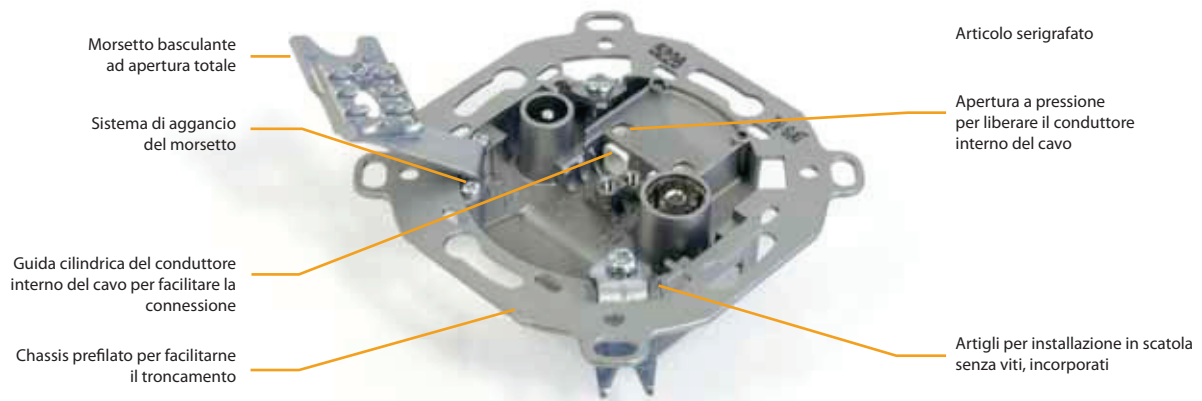


▲ 4087

OUTLETS



General technical features



- ▶ A simple push is enough to connect the inner conductor, no screws needed.
- ▶ Allows the visualization of the connection.
- ▶ Support an inner conductor with diameters ranging from Ø 0,65 to Ø 1,2 mm.
- ▶ Support an outdoor cable with a diameter ranging from Ø 5 to Ø 6.9 mm.
- ▶ Compliant with the European guidelines 2004/108/CEE and 2006/95/CEE.
- ▶ The outlets with data connection are compatible with DOCSIS 3.0

Terminal outlets



QR-A00121

REF.	DESCRIPTION
5232	End outlet 5...1000 MHz TV-FM
5226	End outlet 5...2150 MHz TV/FM-SAT
522610	End outlet 5...2150 MHz TV (790)/FM-SAT
524605	End outlet 5...2200 MHz TV-FM-SAT
5250	End outlet 5...2150 MHz TV-FM-SAT/DATA
5270	End outlet bridged



▲ 5226

Ref.	Connector	Band MHz	Tap losses (dB)					DC current through (350 mA)
			Return 5...65	FM 87,5...108	VHF 125...470	UHF 470...862 470...790*	IF SAT 950...2150 2150...2400	
524605	⊙	TV	< 8		4,5		> 9	-
	⊙	FM	< 8		4,5		> 9	-
	⊕	SAT	> 8		> 6		1,5	SAT→IN
5250	⊙	TV	-	-	< 5		-	-
	⊙	FM	-	< 10	-		-	-
	⊕	SAT	< 4,5	< 3,8	< 5		< 6,5	SAT→IN
5232	⊙	TV	0,5	-	0,5		-	-
	⊙	FM	-	3	-		-	-
5226/ 522610*	⊙	TV/FM	0,6				-	-
	⊕	SAT					1,5	SAT→IN
5270	⊙	FM/TV/SAT					< 2	All
	⊙	FM/TV/SAT					< 2	

⊙ Female connector CEI ⊙ Male connector CEI ⊕ F Female Connector

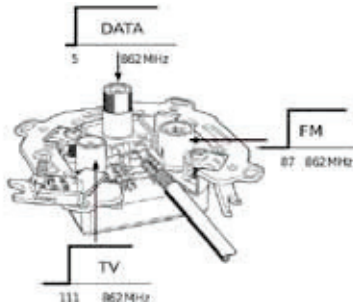
OUTLETS

Multimedia

► Class a Screening



REF.	DESCRIPTION
5240	End outlet 5...862MHz TV-FM-DATA
5247	Through outlet 5...862MHz TV-FM-DATA
5248	Through outlet 5...862MHz TV-FM-DATA
5249	Through outlet 5...862MHz TV-FM-DATA

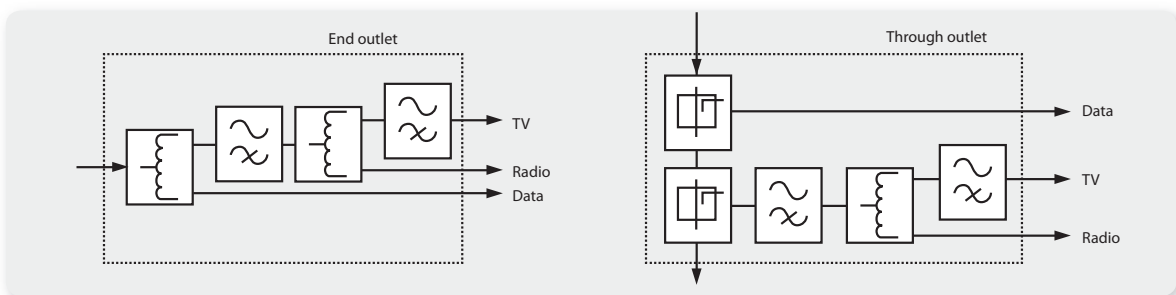


▲ 5240

Ref.	Symbol	Losses (dB)					Decoupling (dB)				
		Tap losses					Insertion losses	OUT-TV/R/DATA		DATA - TV	
		Band	Ret./BI	FM	VHF	UHF		5...65	65...862	5...65	65...862
MHz	5...68	87,5...108	109...470	470...862	5...862	5...65	65...862	5...65	65...862		
5240		TV		8			-	-	-	> 70	> 30
		FM		7							
		DATA		3,6							
5247		TV		12			3,6	> 30	> 30	> 70	> 35
		FM		14,5							
		DATA		12							
5248		TV		19			2	> 30	> 30	> 70	> 45
		FM		20							
		DATA		17,5							
5249		TV		23,5			1	> 30	> 30	> 70	> 50
		FM		23							
		DATA		22							

⊙ female connector CEI ⊙ Male connector CEI ⊕ F female connector

BLOCK DIAGRAM



OUTLETS

Low losses outlets



QR-A00051

REF.	DESCRIPTION
5230	End outlet 5...862MHz TV-FM
5231	Through outlet 5...862MHz TV-FM
523110	Through outlet 5...790MHz TV-FM



▲ 5231

Ref.	Symbol	Losses (dB)					Insertion losses	DC current through
		Tap losses						
		Band MHz	Ret./BI 5...68	FM 87.5...108	VHF 109...470	UHF 470...862 470...790*		
5230		TV			4,5		-	NO
		FM			18			
5231/ 523110*		TV			9,5		1,3	NO
		FM			24			

Female connector CEI Male connector CEI

5...1000 MHz



QR-A00052

REF.	DESCRIPTION
5232	End outlet TV-FM
5233	Through outlet TV-FM



▲ 5233

Ref.	Symbol	Losses					Insertion losses (dB)	DC current through
		Tap losses (dB)						
		Band MHz	Ret./BI 5...68	FM 87.5...108	VHF 125...470	UHF 470...862		
5232		TV	0,5	-		0,5	-	NO
		FM	-	3		-		
5233		TV			7		2,5	NO
		FM			26			

Female connector CEI Male connector CEI

OUTLETS

5...2150 MHz



QR-A00050

REF.	DESCRIPTION	
5229	End outlet splitter	TV/FM-SAT
5228	Through outlet	TV/FM-SAT
5227	Through outlet	TV/FM-SAT
5236	Through outlet	TV/FM-SAT



▲ 5228

Ref ^a	Symbol	Band	Losses (dB)					Insertion losses (dB)		DC current through (350 mA)
			Return	FM	VHF	UHF	IF SAT	MATV	SAT	
			MHz	5...65	87,5...108	125...470	470...862			
5229		TV/FM		4			5	-	OUT→IN	
		SAT		4			5	-		
5228		TV/FM		8,5			9	3,5	5	IN - OUT
		SAT		7,5			10			OUT→IN
5227		TV/FM		13			13,5	1,2	2	IN - OUT
		SAT		13			14			OUT→IN
5236		TV/FM		20			24	0,6	1,2	IN - OUT
		SAT		20			24			OUT→IN

Female connector CEI Male connector CEI

Accessories



QR-A00057

REF.	DESCRIPTION
5441	Face plate for TV-R outlet
5440	Face plate for TV/R-SAT outlet
544302	Face plate for TV-R-SAT outlet
5275	Face plate for TV-R-SAT-RJ45 outlet
527402	Face plate for TV/R-SAT-RJ45 outlet
5442	Back box for surface mounting outlet



▲ 5441



▲ 5440



▲ 527402



▲ 5275



▲ 544302



▲ 5442

CONNECTORS

easyF



Thanks to the "EasyF" connector, Televés guarantees the maximal quality in the connection between the systems, providing the required protection to the digital signals in the installation.

The connection of the coaxial cable is turned into a simple task and an easy and fast operation.

connecting the cables in difficult locations where the handling of the components is very hard is no longer required as it doesn't have any separate pieces

Simplicity and quick fitting

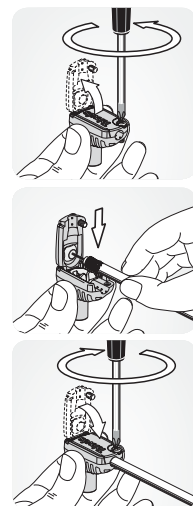
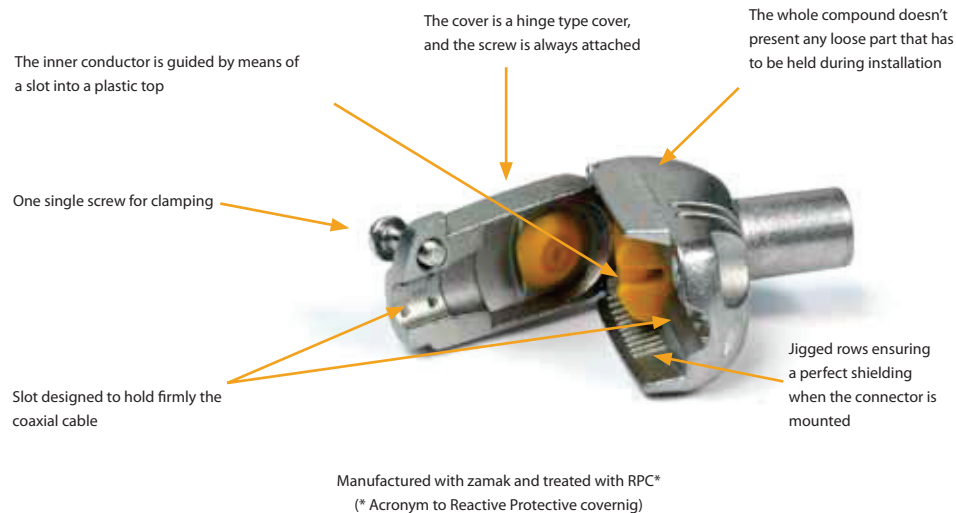
- ▶ One only screw.
- ▶ The connection is always visible.

Safe connection

- ▶ Assures the reliability of the connection and doesn't require any future revision.

Electrically perfect

- ▶ Automatic manufacturing.
- ▶ Total protection that minimizes the non desired effect on the DTT reception
- ▶ Perfectly adaptable to the components of the distribution network
- ▶ Due to its performance and quality, it is the connector to be used for the standard and HD DTT



"CEI" - Ø 9,5 mm



QR-A00113

REF.	DESCRIPTION
4130	CEI Ø 9,5 mm male elbowed
4131	CEI Ø 9,5 mm female elbowed
413201	"PRO easyF" CEI Ø 9,5mm male elbowed
413301	"PRO easyF" CEI Ø 9,5mm female elbowed



▲ 4130



▲ 4131



▲ 413201



▲ 413301

CONNECTORS

"F" Type



QR-A00114

REF.	DESCRIPTION
4176	"Quick F" elbowed shielded
413401	"PRO easyF" "Quick F" elbowed shielded
4171	F connector thread with o-ring for T-100 cable
4135	F connector thread without o-ring for T-100 cable
4104	F connector, compress for T-100 and CXT-60 cable
4105	F connector, compress for CXT-5 and CXT-60 cable
410701	F connector, compress and elbowed for T-100 and CXT-60
410801	F connector, compress for T-200 cable
9349	F twisted connector for TR-165 cable
4106	F compressed connector for TR-165 cable
4127	F twisted connector for CXT-5 cable (ref. 2106)
4120	F connector for 1/2" cable



▲ 413401

▲ 4176



▲ 4105

▲ 410701

▲ 9349

▲ 4106

▲ 4127

▲ 4120

SCATV 5/8"



QR-A00136

REF.	DESCRIPTION
4121	5/8" connector for 1/2"
4122	5/8" connector for TR-165



▲ 4121

▲ 4122

Accessories



QR-A00015

REF.	DESCRIPTION
4066	Coaxial cable joint
4173	F female-F female adaptor
4123	5/8" male-F female adaptor
4071	"F" type DC bloc
4061	Terminal load F 75Ω with DC bloc
4058	Terminal load F 75Ω without DC bloc
4087	Terminal load "EasyF" 75Ω with DC bloc
2163	"F" type connector compression tool
2145	Professional coaxial cable stripper
2162	Coaxial cable stripper



▲ 2145

▲ 2163



▲ 4173

▲ 4061

▲ 4123

▲ 2162

▲ 4071

▲ 4058

▲ 4087

▲ 4066

CONNECTORS

Cable-connector compatibility table

Straight connectots (5/8", F twist and F compress)											
Type	Image and connector ref.		Cable type								
			T100	CXT	CXT1	CXT5	CXT-50	CXT-60	T200	TR165	1/2"
F de enrosacar	4171 (with oring)		✓	✓	✓						
	4135 (Without o-ring)		✓	✓	✓						
	4127					✓					
	9349									✓	
F compress	4104		✓	✓	✓			✓			
	4105		✓	✓	✓		✓				
	410701		✓					✓			
	410801								✓		
	4106									✓	
5/8"	4122									✓	
F	4120										✓

Elbowed								
Type	Image and connector ref.		Cable type					
			T100	CXT	CXT1	CXT5	T200	
CEI PRO series	413201 (male)							
	413301 (female)			✓	✓	✓	✓	
F PRO series	413401 (male)		✓					
F EMC series	4176 (male)							
CEI EMC series	4130 (male)			✓	✓	✓		
	4131 (female)							

Coaxial extensions



QR-A00115

- ▶ Manufactured with T200 a Class, with a 75% covering
- ▶ Equipped with Class a and fully shielded "Pro Easy-F" connectors.
- ▶ Suitable for unique installations and operators networks.



REF.	DESCRIPTION
431001	1,5 m Extension
431002	2,5 m Extension



▲ 431001