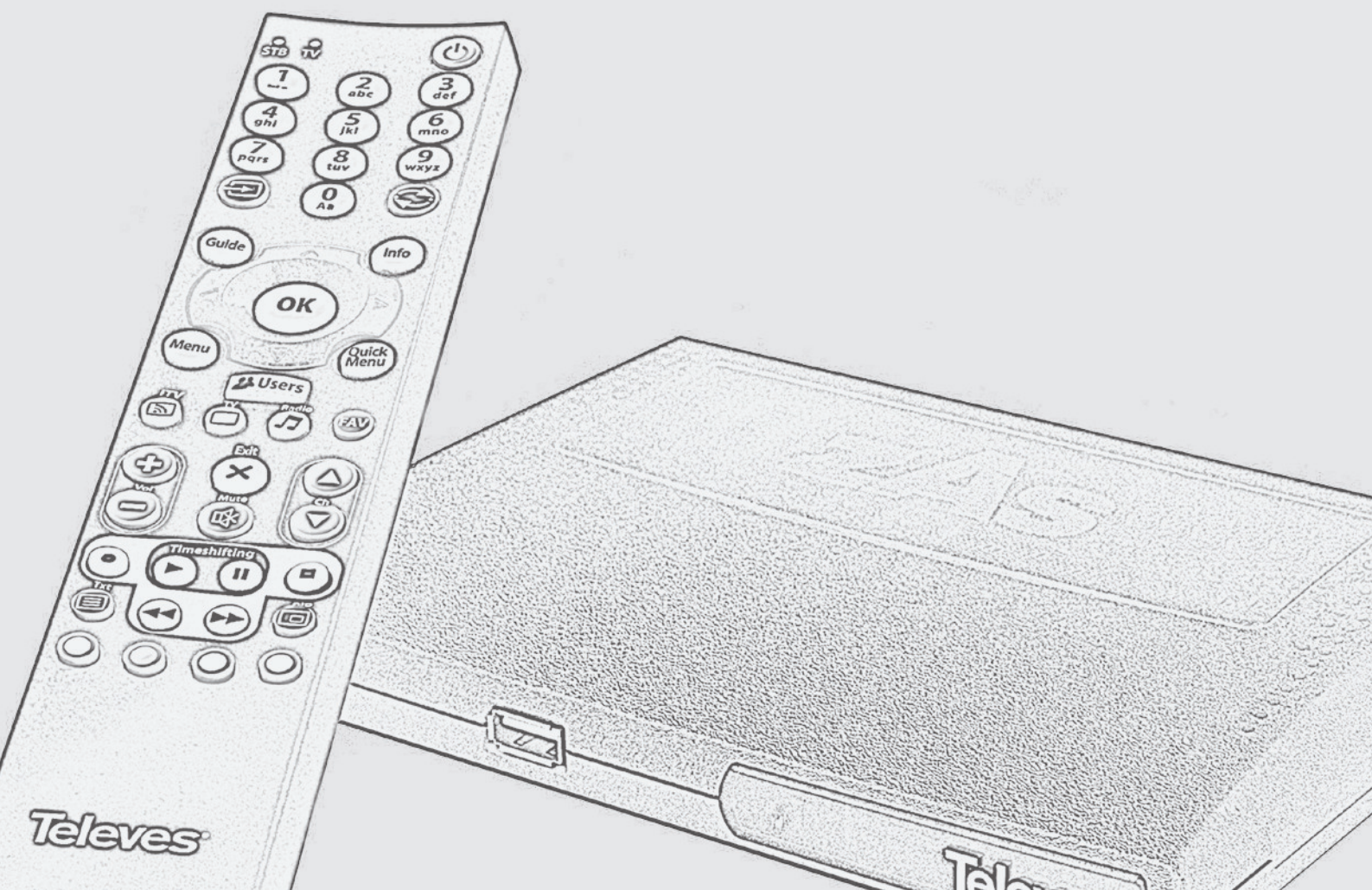


Televes®

# RECEIVERS AND HOME ACCESSORIES



Televes®

Televes®

## DOMESTIC RECEIVER (TERRESTRIAL)

### Terrestrial Digital Receiver zAs Hbb



QR-A00120

Hybrid receiver DTT (SD and HDTV) with internet connection through the standard HbbTV, a connection that allows the user to access all the entertainment services offered by the operator, including video on demand (VOD), interactive advertisement, social networks, etc.

European technology made in Europe. The most advanced process in automated manufacturing is used by Televes in order to guarantee the quality and reliability of the receiver.

#### Technical features:

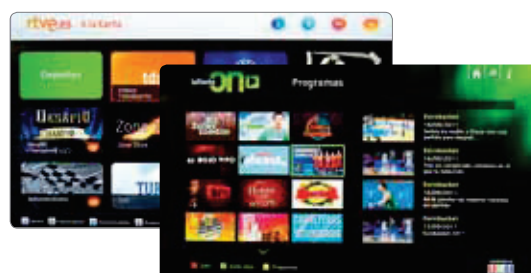
- ▶ Standard DVB-T.
- ▶ Video compatible with MPEG2 and MPEG4/H.264
- ▶ Compatible with HbbTV
- ▶ **PVR functionality** via USB 2.0. External hard drive required or "Pen Drive" with FAT32, NTFS or ext3 (linux).
- ▶ **Multimedia player:** video, audio and pictures.
- ▶ 5 lists of **favorites** channels (A, B, C, D, E).
- ▶ Compatible with LCN.
- ▶ Electronic programing guide (EPG).
- ▶ Supports Teletext VBI, Teletext OSD, standard subtitles and teletext.
- ▶ Saves and recovers **the last viewed channel**.
- ▶ **Software update** through a USB or IP.
- ▶ **Universal remote control** (allows to control the TV).
- ▶ **Low consumption**.

**zAs Hbb**

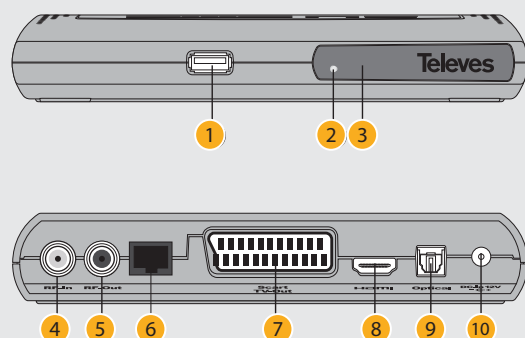


▲ zAs Hbb

**HbbTV**



REF.	DESCRIPTION
511501	Digital terrestrial receiver with VOD access, "zAs Hbb"



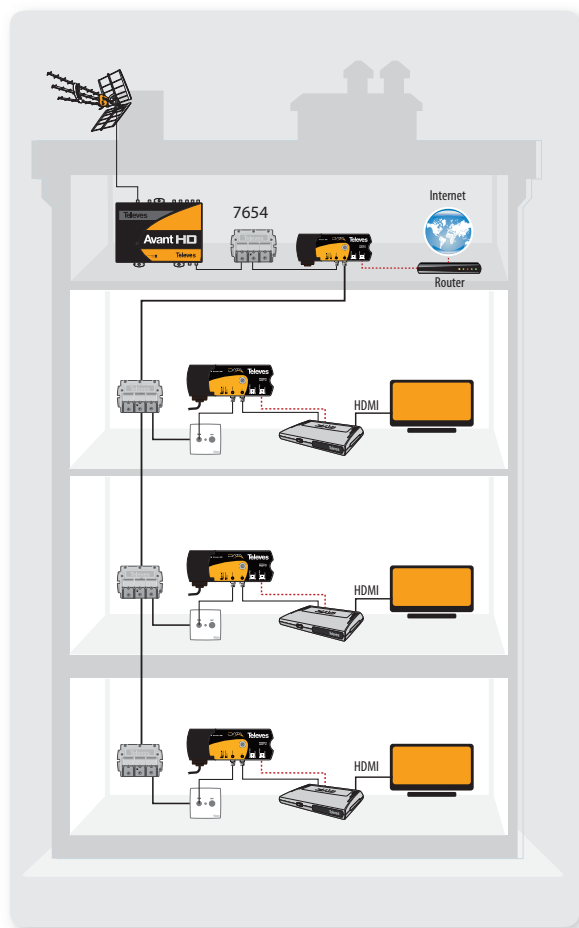
Nº	Function	Description
1	HOST USB	connection for a USB, memory card reader or external hard drive (FAT 32, NTFS and ext3 linux) with external power supply
2	LED	Operating LED. Red: Standby, Green: ON
3	IR	IR sensor
4	RF-IN	Terrestrial antenna input
5	RF-OUT	RF output in order to connect to a TV or VCR
6	RJ-45	Data port (internet)
7	SCART	To connect to a TV via a euroconnector
8	HDMI	Interface to connect the HDMI cable
9	OPTICAL	Optical port for digital audio
10	DC-I N 12V	input to connect the 12V AC adapter

DOMESTIC RECEIVER (TERRESTRIAL)

Reference	511501		
Input tuner			
Input frequency	MHz	174...862	
Input level	dBµV	45...90	
TV-Video system			
Demodulation	DVB-T		
Video resolution	576i, 576p, 720p, 1080i, 1080p		
Image format	4:3 (Letter Box, Pan&Scan) / 16:9 (Zoom, Pan & Scan)		
Video decoding	MPEG-2, MPEG-4, H.264 (MP4,MKV,AVI)		
TV-Audio system			
Audio decoding	MPEG/MusiCam Layer I & II, AC3, AAC, AAC+, Dolby digital, Dolby digital +, mp3		
Connectors			
Input/Output terrestrial	2 x CEI		
SCART	Output RGB, CVBS, analogue Audio Output		
HDMI	Audio/Video Digital Output		
SPDIF	Digital audio optical Output		
USB	1 x 2,0 (S/W update)		
Power supply			
Network	Voltage	Vac	196...264
	Frequency	Hz	50-60
Max. Consumption	working	W	< 4,5
	Standby		< 0,6
Memory			
Flash		MB	500
RAM			2x 250 DDR2
General			
Working temp.	°C	-5...45	
Dimensions (wid x hei x dep)	mm	180 x 29 x 130	
Weight	Kg	0,3	

The zAs Hbb allows the rendering of the mentioned files in the table below:

Type of file	extension	Video Codec	Audio Coded
MP4	MP4	MPEG4 H.264	AAC
WAV	WAV		PCM MP3
MATROSKA	MKV MKA	MPEG4 H.264	AC-3 MP2 MP3 AAC
AVI	AVI	XDIV (MPEG4-ASP)	AC-3 MP2 MP3



## DOMESTIC RECEIVER (TERRESTRIAL)

### Digital Terrestrial Receiver zAs HD

# zAs HD



QR-A00047

DTT receiver (SD and HDTV), the ideal option for the televisions lacking an integrated DTT, or DTT MPEG 4 tuner

European technology made in Europe. The most advanced process in automated manufacturing is used by Televes in order to guarantee the quality and reliability of the receiver.

#### Technical features:

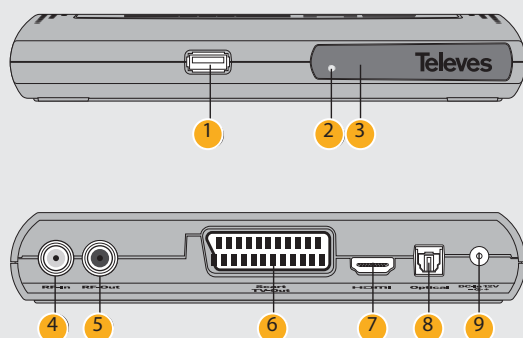
- ▶ Standard DVB-T.
- ▶ Video compatible with MPEG2 and MPEG4/H.264.
- ▶ PVR functionality via USB 2.0. External hard drive required or "Pen Drive" with FAT32,
- ▶ "TimeShift" functionality using a USB with a recording option.
- ▶ Multimedia player: video, audio and pictures.
- ▶ 6 lists of favorites channels (A, B, C, D, E, F).
- ▶ Compatible with LCN.
- ▶ Electronic programing guide (EPG).
- ▶ Supports Teletext VBI, Teletext OSD, standard subtitles and teletext.
- ▶ Saves and recovers the last viewed channel.
- ▶ Parental control.
- ▶ Software update through a USB.
- ▶ Low consumption.



▲ zAs HD



REF.	DESCRIPTION
5124	Digital terrestrial receiver "zAs HD"



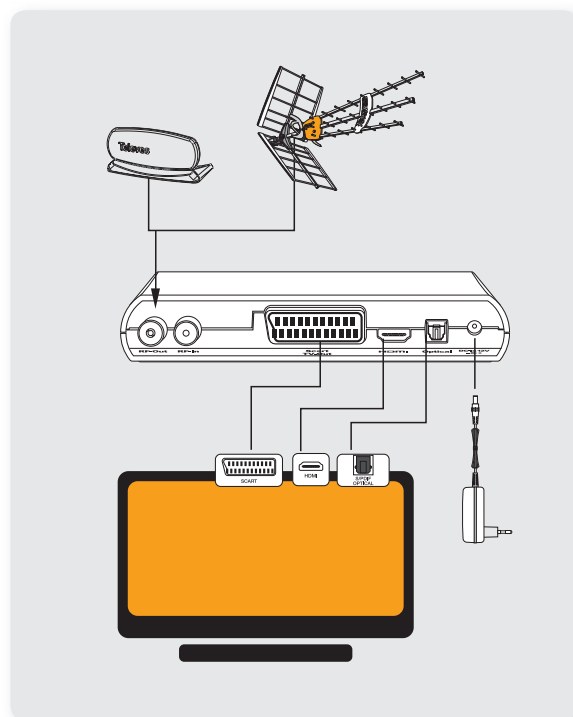
N°	Function	Description
1	HOST USB	Connection for a USB, memory card reader or external hard drive (FAT 32) with external power supply
2	LED	Operating LED. Red: Standby, Green: ON
3	IR	IR Sensor
4	RF-IN	Terrestrial antenna input (power supply +5V/100mA selec. by menu)
5	RF-OUT	RF output in order to connect to a TV or VCR
6	SCART	To connect to a TV via a euroconnector
7	HDMI	Interface to connect the HDMI cable
8	OPTICAL	Optical port for digital audio
9	DC-IN 12V	input to connect the 12V AC adapter

DOMESTIC RECEIVER (TERRESTRIAL)

Reference	5124		
Input tuner			
Input frequency	MHz	174...862	
Input level	dBµV	45...90	
Video tv system			
Demodulation	DVB-T		
Video resolution	576i, 576p, 720p, 1080i, 1080p		
Image format	4:3 (Letter Box, Pan&Scan) / 16:9 (Zoom, Pan & Scan)		
Video decoding	MPEG-2, MPEG-4, H.264 (MP4,MKV,AVI)		
Symbol speed	Msp/s	1...45	
Audio TV-System			
Audio decoding	MPEG/MusiCam Layer I & II, AC3, AAC, AAC+, Dolby digital, Dolby digital +, mp3		
Connectors			
Input/Output terrestrial	2 x CEI		
SCART	RGB Output, CVBS, Analogue audio		
HDMI	Audio Output/Digital Video		
SPDIF	Digital audio optical output		
USB	1 x 2,0 (S/W update)		
Power supply			
Network	Voltage	Vac	100...240
	Frequency	Hz	50-60
Max consumption	Working	W	< 4,5
	Standby	W	< 0,6
Memory			
Flash	MB	32	
RAM		512	
General			
Working temp.	°C	-5...45	
Dimensions (wid x hei x dep)	mm	180 x 29 x 130	
Weight	Kg	0,3	

The zAs HD allows the rendering of the mentioned files in the table below:

File type	Extension	Video codec	Audio codec
MP4	MP4	MPEG4 H.264	AAC
WAV	WAV		PCM MP3
MATROSKA	MKV MKA	MPEG4 H.264	AC-3 MP2 MP3 AAC
AVI	AVI	XDIV (MPEG4-ASP)	AC-3 MP2 MP3



## DOMESTIC RECEIVERS (SATELLITE)

### Satellite Digital Receiver zAs HD SAT

**zAs HD**  
SATELLITE



QR-A00206

Satellite receiver (SD y HDTV), the ideal solution for the televisions lacking a TV SAT tuner.

European technology made in Europe. The Most advanced process in automated manufacturing is used by Televes in order to guarantee the quality and reliability of the receiver.

#### Technical features:

- ▶ **DVB-S / DVB-2** standard.
- ▶ Video compatible with **MPEG2 and MPEG4/H.264**.
- ▶ Free to air channels adapter (FTA).
- ▶ **PVR** functionality via USB 2.0. Requires an external hard drive (FAT32) or Pen Drive (FAT32).
- ▶ **"TimeShift"** option by USB with recording option.
- ▶ Compatible with DISEqC 1.2, antenna engine, unicable LNB.
- ▶ Electronic programing guide (EPG).
- ▶ 6 lists of **favorites** channels (A, B, C, D, E, F).
- ▶ Support VBI teletext, OSD teletext, standard subtitles and teletext.
- ▶ Saves and recovers the **last viewed channel**.
- ▶ **Parental control**.
- ▶ **Software update** via USB.
- ▶ **Low consumption**.



▲ zAs HD SAT

**DVB-S**  
SATELLITE

**MPEG4**

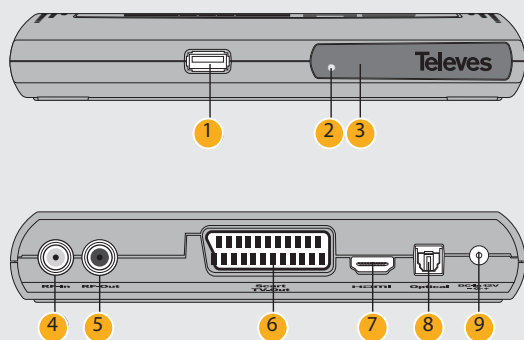
**HDMI**  
HIGH DEFINITION MULTIMEDIA INTERFACE

**DOLBY**  
DIGITAL PLUS

**mp3**

**H.264**  
MPEG-4/AVC

REF.	DESCRIPTION
717501	Satellite digital receiver zAs HD SAT



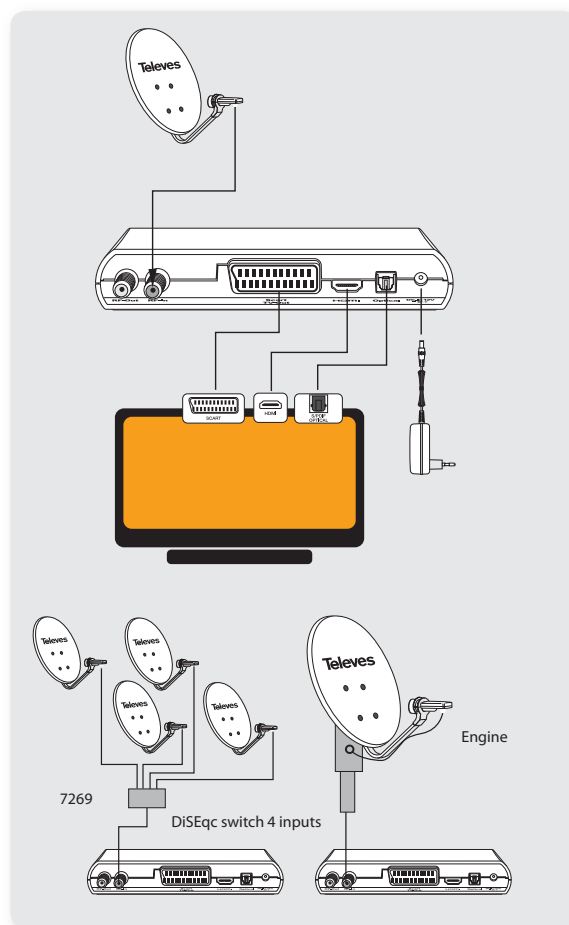
Nº	Function	Description
1	HOST USB	Connection for a USB, memory card reader or external hard drive (FAT 32) with external power supply
2	LED	Operating LED. Red: Standby, Green: ON
3	IR	IR sensor
4	RF-OUT	RF output in order to connect to a TV or VCR
5	RF-IN	Signal input from the antenna
6	SCART	To connect to a TV via a euroconnector
7	HDMI	Interface to connect the HDMI cable
8	OPTICAL	Optical port for digital audio
9	DC-IN 12V	Input to connect the 12V AC adapter

DOMESTIC RECEIVERS (SATELLITE)

Reference	717501		
Input tuner			
Input frequency	MHz	950...2150	
Input level	dBµV	30...90	
Video TV-System			
Demodulation	DVBS (QPSK), DVBS2 (QPSK, 8PSK)		
Video resolution	576i, 576p, 720p, 1080i, 1080p		
Image format	4:3 (Letter Box, Pan&Scan,Voll) / 16:9 (Zoom, Full, Pan&Scan, Automatic)		
Video decoding	MPEG-2, MPEG-4, H.264 (MP4,MKV,AVI)		
Speed symbol	Msp/s	1... 45 (1... 30 in DVB-S2/8PSK)	
Audio TV-System			
Audio decoding	MPEG/MusiCam Layer I & II, AC3, AAC, AAC+, Dolby digital, Dolby digital +, mp3		
Connectors			
Satellite Input/Output	2 x F female		
SCART	Output RGB, CVBS, Analogue audio		
HDMI	Audio/Video Digital Output		
SPDIF	audio digital optical Output		
USB	1 x 2.0		
Power supply			
Network	Voltage	Vac	100...240
	Frequency	Hz	50-60
Max consumption	Working	W	< 4.5
	Standby		< 0.3
Signal control	Band selection	22 KHz	
	DiSEqC switch	DiSEqC 1.2	
	Compatible Unicable	SatCR	
Memory			
Flash	MB	32	
RAM		512	
General			
working temp	°C	-5...45	
Dimensions (wid x hei x dep)	mm	180 x 29 x 130	
Weight	Kg	0,3	

The zAs HD SAT allows the rendering of the mentioned files in the table below:

File type	Extension	Video codec	audio codec
MP4	MP4	MPEG4 H.264	AAC
WAV	WAV		PCM MP3
MATROSKA	MKV MKA	MPEG4 H.264	AC-3 MP2 MP3 AAC
AVI	AVI	XDIV (MPEG4-ASP)	AC-3 MP2 MP3



### Digital Satellite receiver RSD



QR-A00078

Satellite receiver ready to receive free to air channels.

Equipped with three output types

- ▶ Video components.
- ▶ Euroconector.
- ▶ UHF modulator (21-69).

This one, makes it possible to use this device with televisions lacking euroconector input, making it easier to distribute the generated UHF channel through all the sockets of the apartment.

#### Technical features:

- ▶ 8 favorites channels list.
- ▶ Compatible with DiSEqC 1.2, USALS and Unicable LNB.
- ▶ High quality of video and audio.
- ▶ Management of channels: "Move", "Search", "Order", "Edit".
- ▶ Electronic programing guide (EPG).
- ▶ **Teletext functionality.**
- ▶ **Standard subtitles/teletext.**
- ▶ Access control.
- ▶ Saves and recovers the last viewed channel.
- ▶ **Automatic shutdown** 60, 120 and 180 min.
- ▶ **RF modulator.**
- ▶ **Mosaic and zoom functionalities.**
- ▶ Time schedule visualization.
- ▶ Games.
- ▶ **Low consumption.**



▲ 7118



REF.	DESCRIPTION
7118	Digital signal receiver RSD
711801	Digital signal receiver RSD (UK plug)

Reference	7118 / 711801		
<b>Input tuner</b>			
Input frequency	MHz	950...2150	
Input level	dBµV	42... 82	
<b>video TV-system</b>			
Demodulation	DVB-S		
Video resolution	720 x 576 (PAL); 720 x 480 (NTSC)		
Image format	4:3 (Letter Box, Pan&Scan) / 16:9		
Video decoding	MPEG-2 Main Profile @ Main Level		
Symbol speed	Msp/s	1... 45	
<b>Audio TV-system</b>			
Audio decoding	MPEG-1 layer I & II (Musicam Audio)		
<b>Connectors</b>			
Satellite Input/Output	2 x F female		
SCART	1 x TV(RGB, CVBS, L/R Audio) 1 x VCR (CVBS, L/R Audio)		
RS-232	9-pin D-Sub (S/W Update)		
RCA	2 x female (Audio Hi-Fi)		
Coaxial CEI	1 x Input RF, 1 x Output RF		
UHF modulator	C. 21 a C.69 (C.38 by default)		
<b>Power supply</b>			
Network	Voltage	Vac	220...240
	Frequency	Hz	50-60
max consumption	Working	W	< 25
	Standby		< 1
Signal control	Band selection	22 KHz tone	
	DiSEqC switch	Version 1,0 - Tone Burst A/B	
	Locator	DiSEqC 1.2 / USALS, SatCR	
<b>System</b>			
RAM memory	MB	2	
Flash memory	MB	2	
<b>General</b>			
Working temp.	°C	0...40	
Dimensions (wid x hei x dep)	mm	280 x 43 x 165	
Weight	Kg	1,3	



HOME ACCESSORIES

A/V Modulator



QR-A00071

Domestic A/V modulator that generates any analogue channel on the MATV band.

- ▶ Indicates the channel via a **led**.
- ▶ **Gain regulation** to generate an equilibrium between the level of the selected channel and the remaining channels.
- ▶ RF loop compatible with SMATV installations. allows the current to go through in order to reach the power supply unit of the LNB.
- ▶ **Audio level adjustment** to generate an equilibrium between the level of the selected channel and the remaining channels.
- ▶ Capable of generating a **“test” signal** (composed by two white bands) in order to locate the generated channel within the network.
- ▶ With an efficient and optimized **power supply**.



▲ 5858

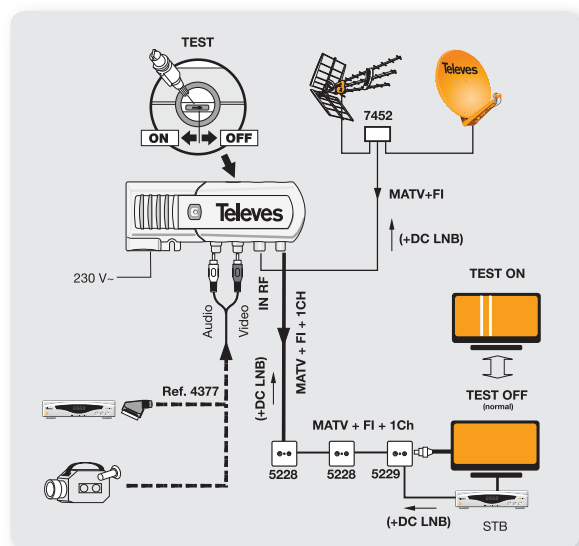
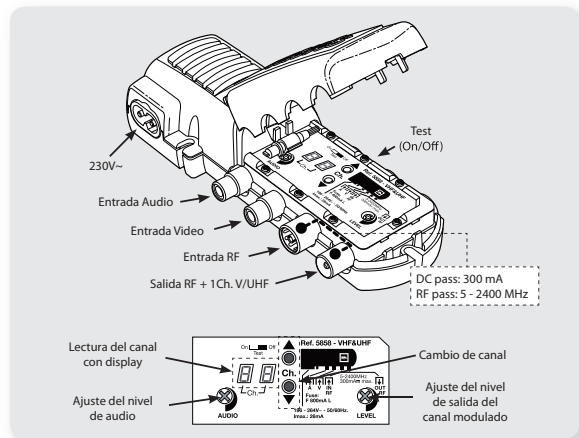
REF.	DESCRIPTION
5858	PAL B/G A/V Modulator
585801	PAL I A/V Modulator (UK plug)



Euroconnector cable to 2 RCA Male (1,5m), is an ideal supporting feature to introduce the video/audio signal generated by a receiver, video, player... in the modulator with the following ref.5858

▲ 4377

Reference		5858	585801
<b>Modulator</b>			
Norm		PAL B/G	PAL I
Band		VHF - UHF	
Output level (tip.)	dBμV	90 typ.	
Regulation Margin	dB	> 15	
Vídeo	V <sub>pp</sub>	1 (over 75 Ω)	
Audio	Hz	50...15000	
<b>RF loop</b>			
Band	MHz	5...2400	
Trough loss	dB	< 2	
Max power supply through	mA	300 max.	
<b>General</b>			
Power supply	V <sub>ac</sub>	196...264	
Consumption	W	2,5	
Working temp.	°C	-5...+45	
protection index		IP20	
Weight	gr	250	
Dimensions (wid x hei x dep)	mm	145x55x35	



## HOME ACCESSORIES

### IR Audio/Video transmission



QR-A00079

Audio/Video wireless transmission system with Infrared return.

allows the configuration of the frequency of the transmission to avoid any interference between the users.



▲ 7307



▲ 7167

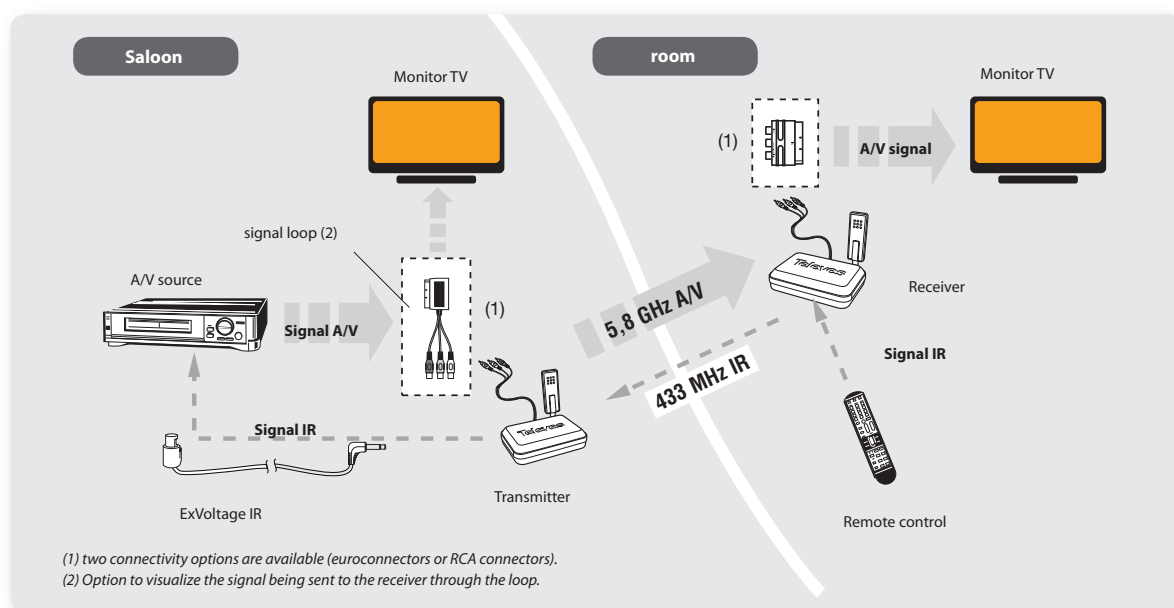
REF.	DESCRIPTION
7307	Transmitter+Receiver Digidom A/V 2,4 GHz 3 channels
730704	Transmitter+Receiver Digidom A/V 2,4 GHz 3 channels (UK plug)
7604	Additional receiver for ref. 7307
7167	Transmitter+Receiver Digidom A/V 5,8 GHz 8 channels

#### Main features of the ref. 7307 / 730704

- ▶ Transmitter and receiver on the 2,4GHz band, with **3 selectable channels** using a switch.
- ▶ A/V input (Satellite, set-top box, DVD player, video camera, etc.).
- ▶ A/V connection adapter.
- ▶ Loop-through functionality.
- ▶ All the **antennas (2,4GHz y 433MHz) are hidden** within the housing.
- ▶ **PAL and NTSC formats** available.
- ▶ **Low consumption.**

#### Main features of the ref. 7167

- ▶ Transmitter and receiver on the 5,8GHz band, with **8 selectable channels** using a switch.
- ▶ A/V input (Satellite, set-top box, DVD player etc...)
- ▶ A/V connection adapter.
- ▶ Loop-through functionality.
- ▶ **Orientable Antenna.**
- ▶ **PAL and NTSC formats** are available.
- ▶ **Low consumption.**



HOME ACCESSORIES

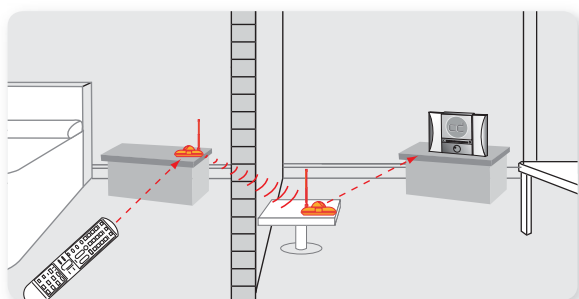
IR Transmission by RF



QR-A00081

These IR devices form an RF remote control extension (433 MHz)

REF.	DESCRIPTION
7237	Transmitter+Receiver Digidom Remote control signal
7219	Additional Transmitter for ref. 7237



▲ 7237

Reference	7234 / 7219	
Working frequency	MHz	434
Voltage network adaptor AC/DC	Vac	230
Power supply unit voltage	Vdc	18
Consumption	W	0,7

IR Transmission by Coaxial Cable



QR-A00097

Remote control extension using coaxial cable (14.7 MHz).

The infrared signals of the remote control are transmitted using the coaxial cable related to the network of the television till the other end, where the coaxial receiver will extract the signal and transmit it towards the IR sensor of the desired equipment.

- ▶ **Without interferences** thanks to the shielding of the coaxial cable.
- ▶ **Long range.** Not limited by any interferences or obstacles.



▲ 7605

REF.	DESCRIPTION
7605	Transmitter+Receiver coaxial remote control
7606	Additional transmitter coaxial remote control

Reference	7605 / 7606	
	RX	TX
IR		
Output frequency	KHz	36 (RC5) -
RF		
Input minimum level	dBμV	50
modulation frequency	MHz	- 14,7
Output level	dBμV	- 100
Harmonics levels	dBc	- -45
Insertion losses	dB	0,5 @ 5-862MHz
General		
Power supply	Vdc	12
Max consumption	mA	12
Power supply in coaxial output	mA	30 -

# RECEIVERS AND HOME ACCESSORIES

